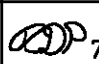
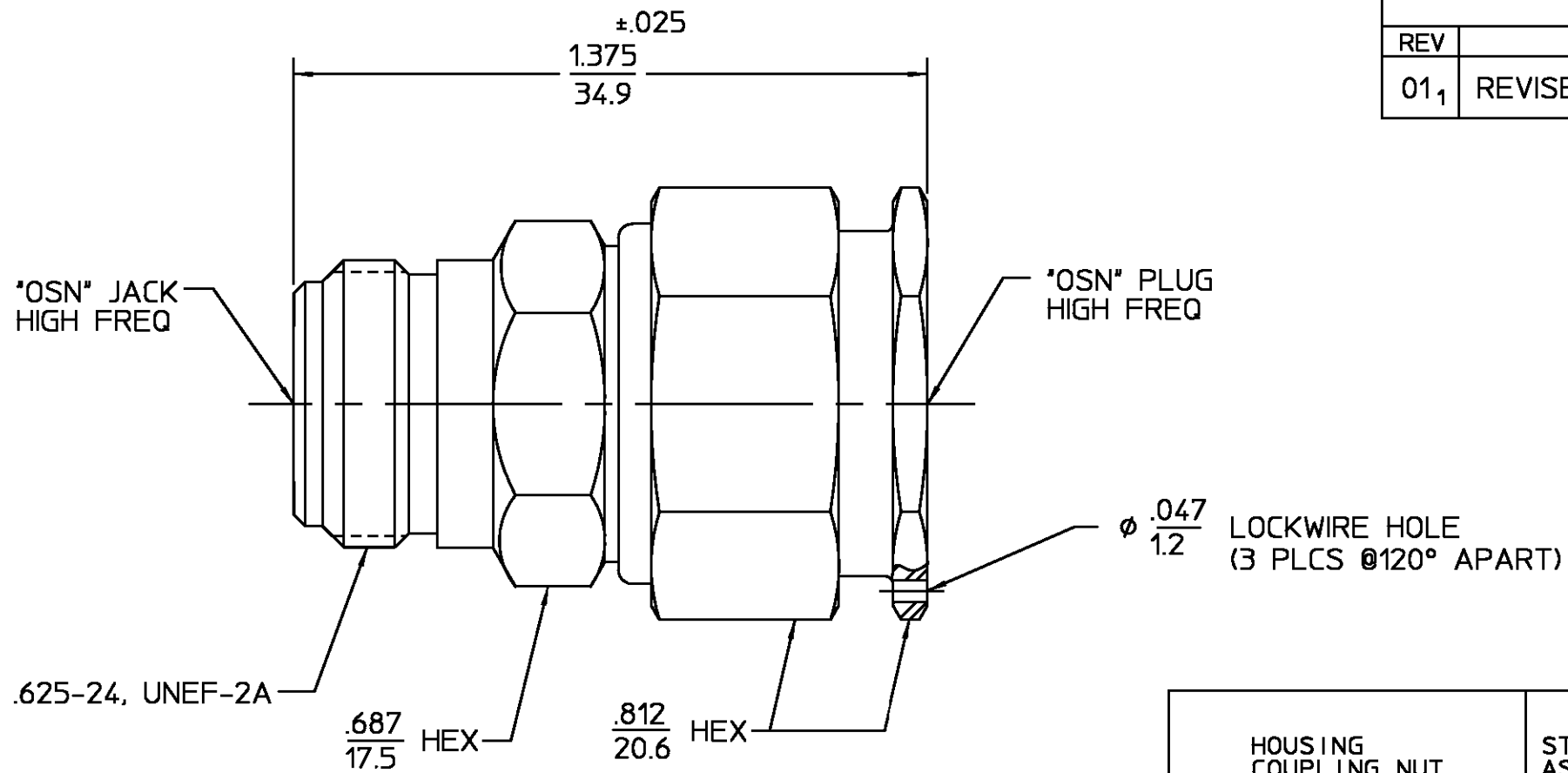



REVISIONS			
REV	DESCRIPTION	DATE	APPROVED
01 ₁	REVISED	KYLE 5-23-97	 7/8/97



ELECTRICAL	MECHANICAL	ENVIRONMENTAL
Nominal Impedance (Ohms) <u>50</u>	Interface Dimensions MIL-STD-348A, Fig. 304-1 & 2	Temperature Rating <u>-65 TO +165°C</u>
Frequency Range (GHz) DC to <u>18.0</u>	Recommended Mating Torque <u>6 TO 10 IN-LBS</u>	Vibration, high frequency: Interruptions - 1 microsecond, max
Volt Rating (VRMS MAX) @ Sea Level <u>1,000</u>	Mating Characteristics: Insertion (MAX Lbs) <u>2.0</u>	Shock MIL-STD-202, Method 213, Condition I
VSWR <u>1.30 MAX @ 0.5 TO 9 GHz</u>	Withdrawal (MIN Oz) <u>2.0</u>	Thermal Shock MIL-STD-202, Method 107, Condition c.
Insertion Loss (dB MAX) <u>.05 √f(GHz)</u>	Force to Engage and Disengage (In-Lbs MAX) <u>6.0</u>	Moisture Resistance MIL-STD-202, Method 106
RF Leakage (dB MIN) <u>-90 @ 2-3 GHz</u>	Center Contact Captivation: Axial (Lbs) <u>6.0</u>	Corrosion - MIL-STD-202, Method 101, Condition B, 5% salt spray
Corona, 70,000 Ft (VRMS MIN) <u>500</u>	Radial (In-Oz) <u>N/A</u>	
Dielectric Withstanding Voltage (VRMS MIN) @ Sea Level <u>2,500</u>	Cable Retention: Axial Force (Lbs) <u>N/A</u>	
Contact Resistance (Milliohms MAX): Center Contact <u>1.5</u>	Torque (In-Oz) <u>N/A</u>	
Outer Contact <u>0.3</u>	Weight (Grams) <u>TBD</u>	
RF High Potential @ Sea Level (VRMS MIN @ 5 MHz) <u>1,500</u>		
I.R.(Megohms MIN) <u>5,000</u>		

COMPONENT	MATERIAL	FINISH
HOUSING COUPLING NUT	STAINLESS STEEL PER ASTM-A484 AND ASTM-A582, TYPE 303	PASSIVATE PER QQ-P-35
DIELECTRIC	PTFE FLUOROCARBON PER ASTM-D-1457	N/A
CENTER CONTACT	BERYLLIUM COPPER PER ASTM-B-196 OR ASTM-B-197, ALLOY C17300, CONDITION H	GOLD PLATE PER MIL-G-45204
RETAINING RING	PHOSPHOR BRONZE PER QQ-B-750, GRADE B2	N/A
GASKET	SILICONE RUBBER PER ZZ-R-765	N/A

UNLESS OTHERWISE SPECIFIED DIMENSIONS ARE IN INCHES		DRAWN BY B.C. DATE 10-12-79		 AMP Incorporated 140 Fourth Avenue Waltham, MA 02451-7599
FRAC. ± 1/64	DEC. ± .005	CHECKED BY R.S.	DATE 10-12-79	
ANGLES ± 1°		APPD BY J.R.	DATE 11-13-79	
These drawings and specifications are the property of M/A COM Interconnect Div. and shall not be reproduced or copied or used in whole or in part as the basis for the manufacture or sale of item(s) without written permission.		USE ASSY PROCEDURE NO. A.P. <u>N/A</u>		TITLE 'OSN' HIGH FREQ(18GHz) PLUG TO 'OSN' JACK ADAPTER
SIZE B	CODE IDENT NO. 26805	3682-0000-02	REV 01₁	
SCALE 3:1			SHEET 1 OF 1	